

The Campaigner Creative Challenge

Love painting and converting? Then this is the challenge for you. Create a fantastic diorama, and have the rest of the world marvel at your inspirational genius!

The Campaigner is an independent magazine that does not focus on a single system, it instead explores the broader aspects of tabletop wargames and miniatures. If you want to know more about the magazine, you can find it online at www.thecampaignermagazine.com

Theme for Issue 10:

**Incoming
Wounded**

What is The Campaigner Creative Challenge?

We want to see what you can do with a theme, a simple base to build from, and your own uninhibited imagination! The aim is to let your creative side run riot and produce a piece that is both interesting and inspiring. Use whatever miniatures you want, or sculpt your own. Fantasy, sci-fi, World War II, Warmachine, Flames of War, or a world of your own creation. It can be in whatever genre you want, for whatever system you want. Just as long as it is a creative, well produced piece with balance and originality.

The 6 best creations will be included in the next issue of *The Campaigner*.

What do I do?

There are 20 positions available, so sign up as soon as you can. You will be given a 42mm x 42mm x 80mm high block of pine, as well as an MDF board backdrop. These two pieces easily screw together, and create your display platform. Take them away and get creative!

Have your creation finished and submitted by **9 November**, along with the form on the opposite side of this flier filled out. The piece will be photographed, and if chosen, included in Issue 10 of *The Campaigner*.

Don't worry! You can collect your piece after all this is done, and we will even provide a couple of high resolution photographs for you to keep.

If you have any questions just email us at contact@thecampaignermagazine.com. Keep your eye on the SATGS Facebook page, as well as *The Campaigner* website, for details on how and when to submit.

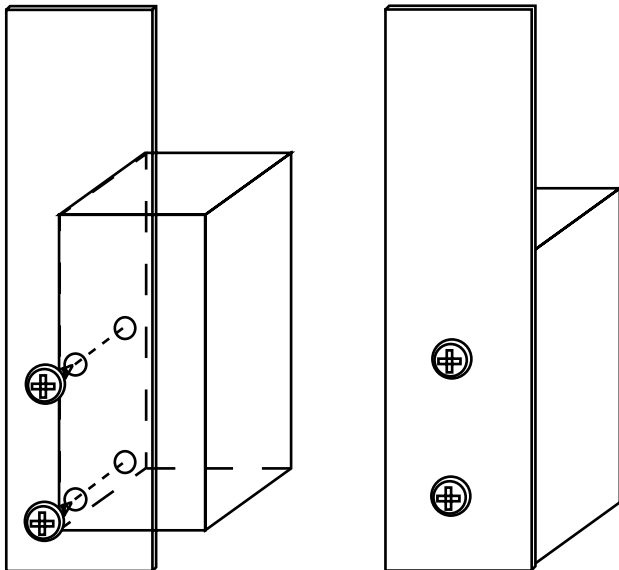
Supplied parts

The Campaigner will supply you with:

- 1 pine block
- 1 MDF back board
- 2 screws

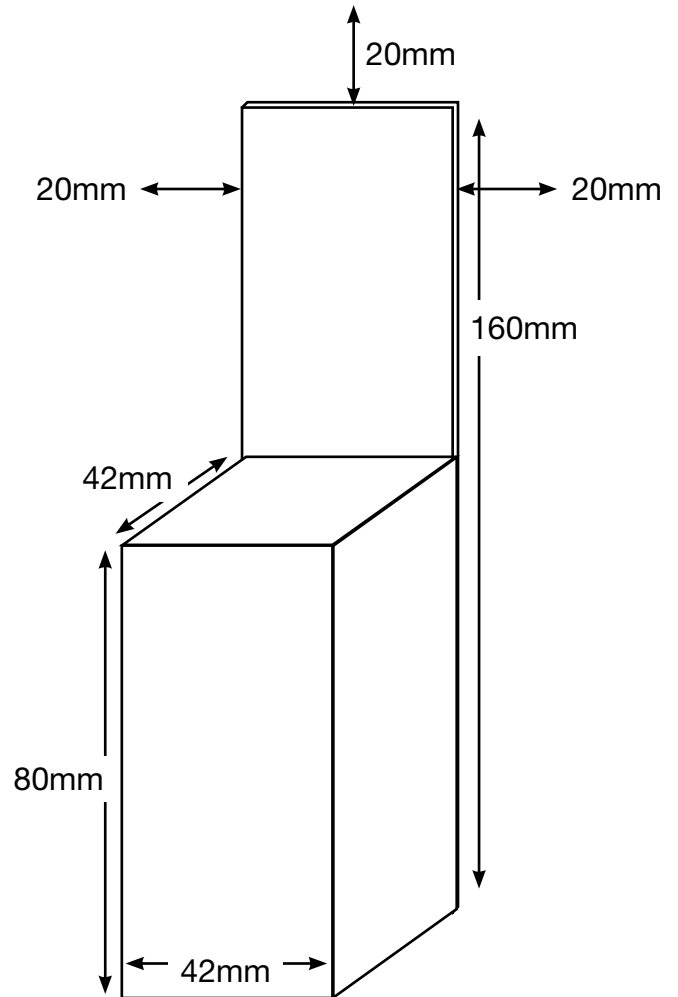
Constructing the base

The pine block and MDF back board come pre-drilled. Simply screw the screws through the MDF back board and into the pine block.



Challenge work area

You can work in whatever scale you wish. Models can break from the stage, but cannot exceed a distance of 20mm from the edges of the back board.



Entry Form - Entry and form back by 9 June

Name _____

Title of Piece _____

Email _____

Phone No _____

Age _____ Signature (Parents approval if under 18) _____

The Campaigner is not liable for damage or loss of your piece. Ownership of the piece is retained by the creator. The Campaigner holds ownership over any photographs taken.